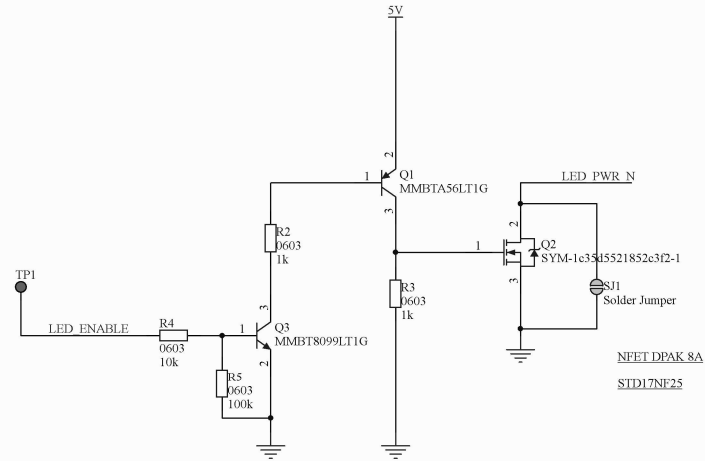
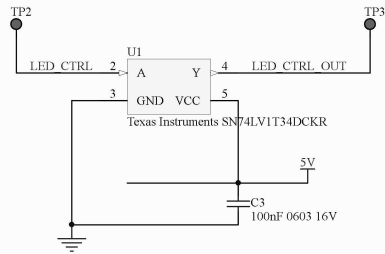
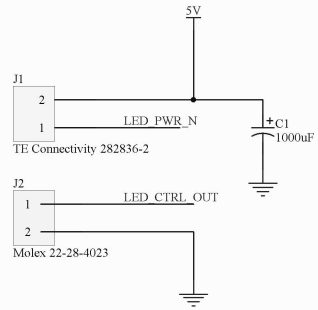
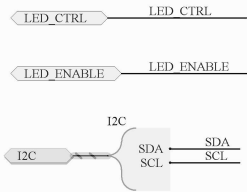
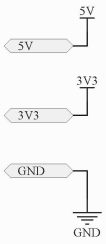
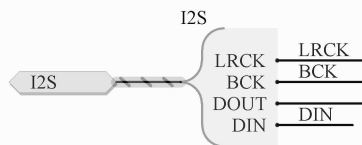
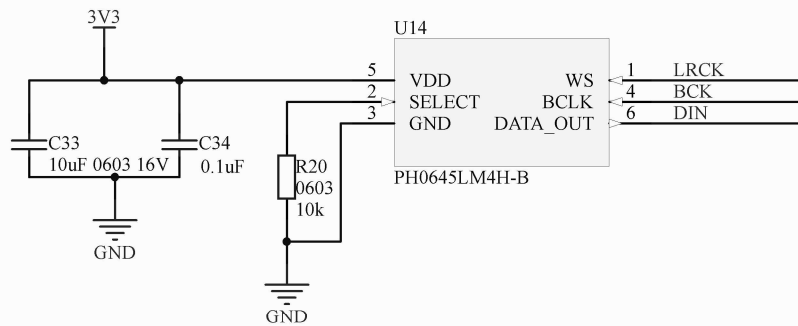
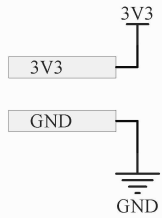


Title		
Size	Number	Revision
A		
Date:	11/21/2019	Sheet of
File:	LightController.SchDoc	Drawn By:

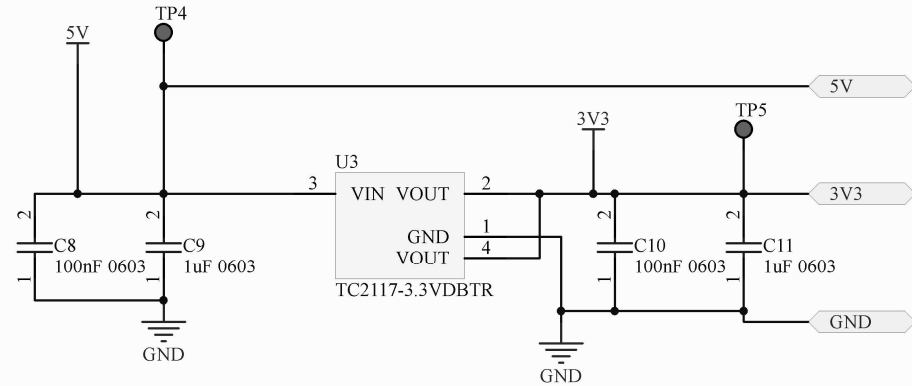
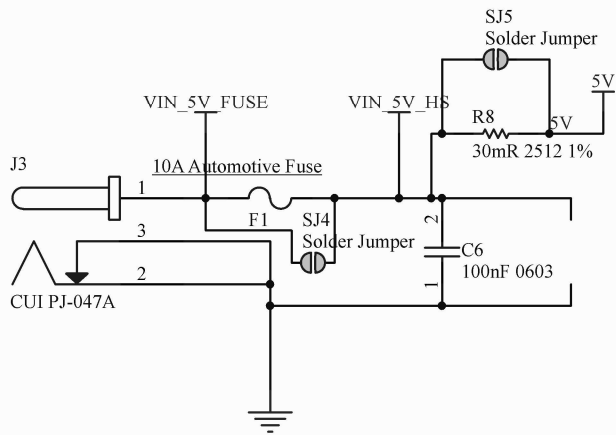


Title		
Size B	Number	Revision
Date: 11/21/2019	File: Lights.SchDoe	Sheet of
		Drawn By:

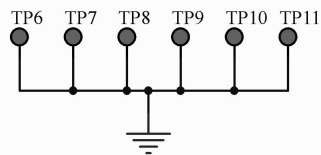
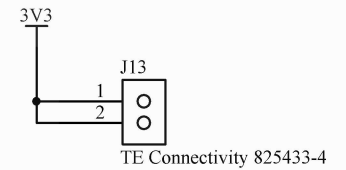
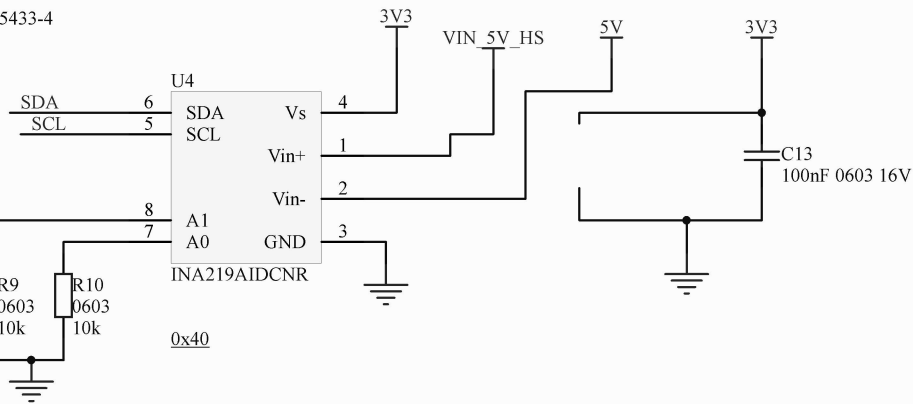
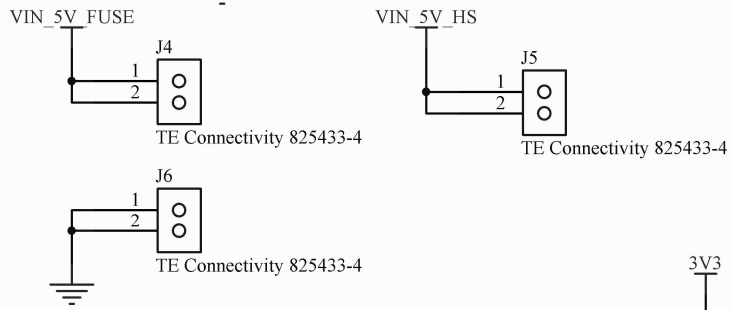


<https://learn.adafruit.com/adafruit-i2s-mems-microphone-breakout/raspberry-pi-wiring-and-test>

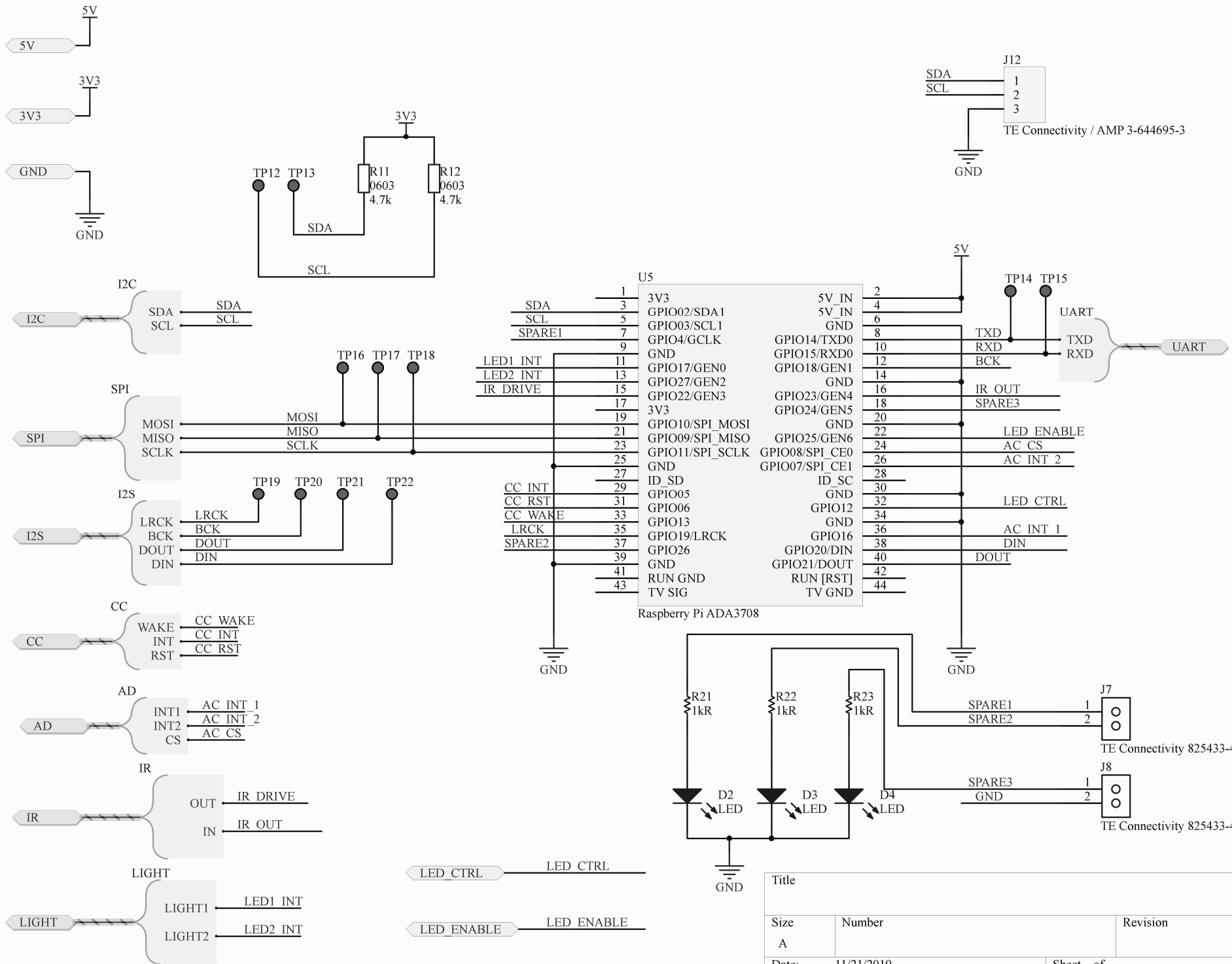
Title		
Size	Number	Revision
A		
Date:	11/21/2019	Sheet of
File:	Mic.SchDoc	Drawn By:



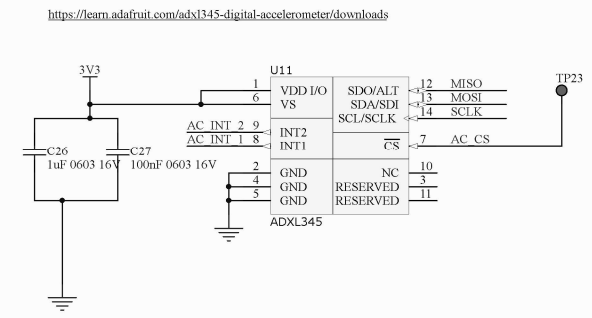
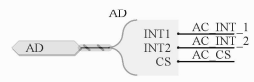
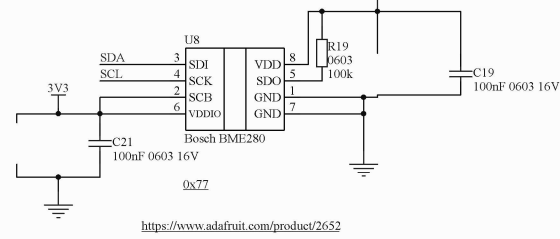
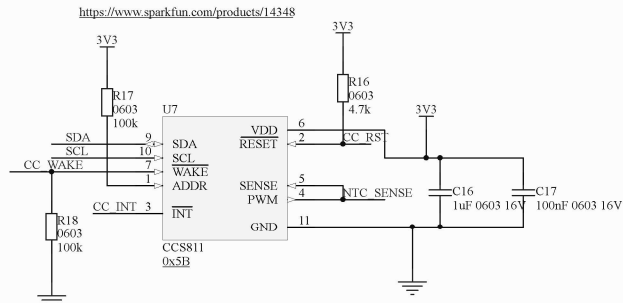
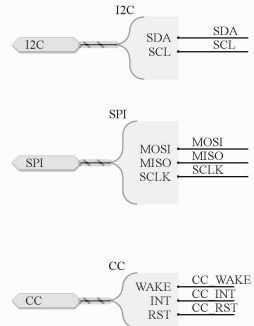
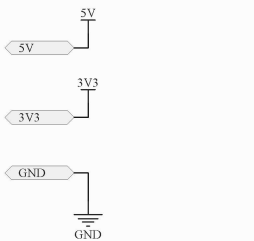
3V3 800mA LDO Linear Regulator



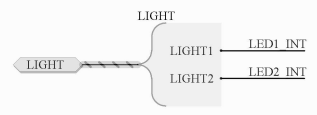
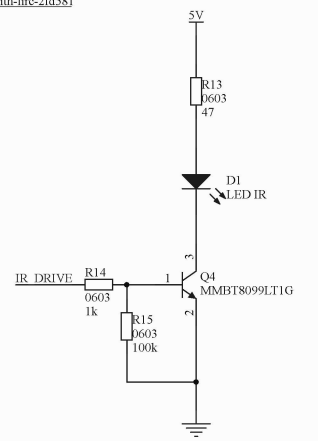
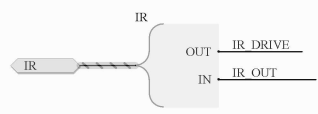
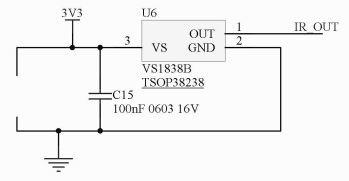
Title		
Size	Number	Revision
A		
Date:	11/21/2019	Sheet of
File:	Power.SchDoc	Drawn By:



Title		
Size	Number	Revision
A		
Date:	11/21/2019	Sheet of
File:	RPi.SchDoc	Drawn By:

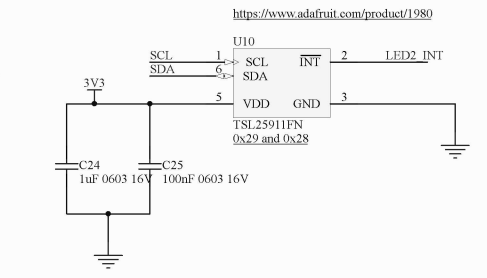
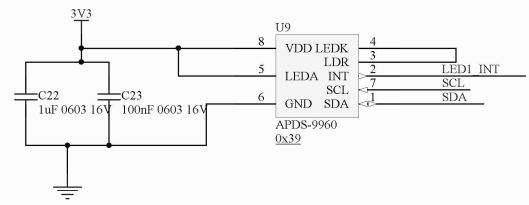


<https://www.hackster.io/austin-stanton/creating-a-raspberry-pi-universal-remote-with-irc-2fd581>



<https://www.sparkfun.com/products/14350>

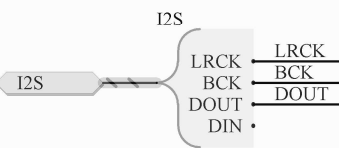
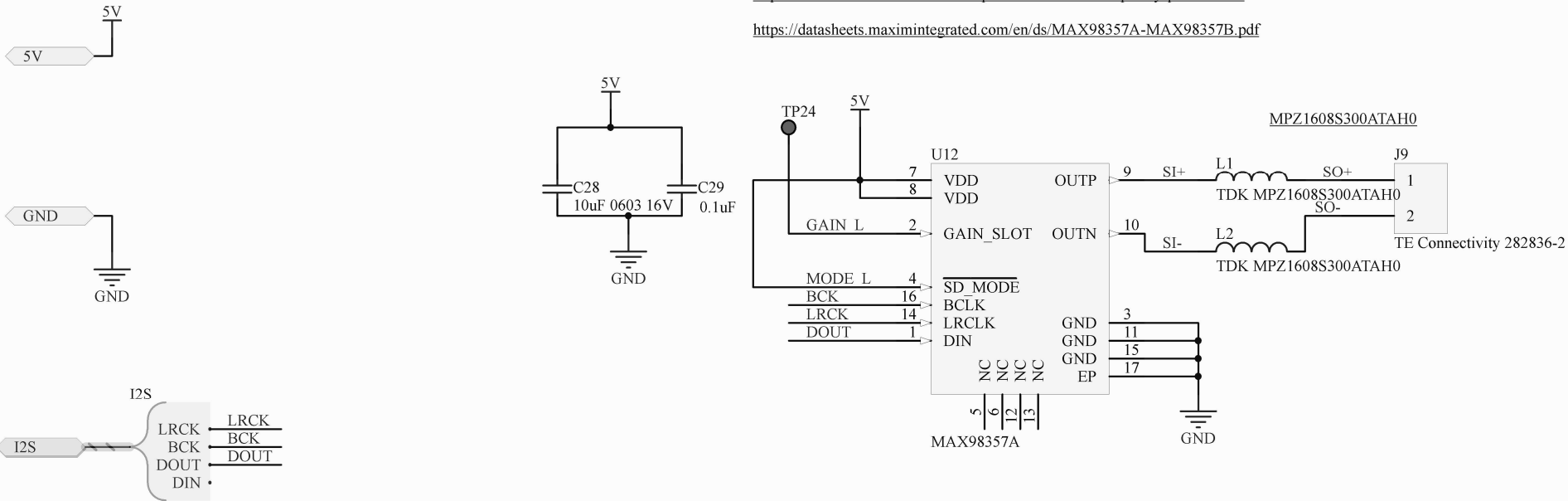
<https://www.sparkfun.com/products/12787>



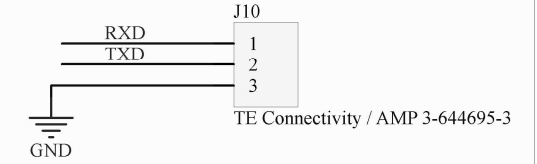
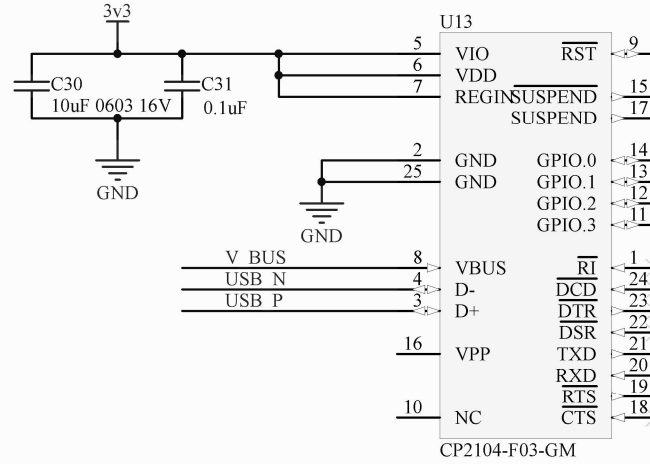
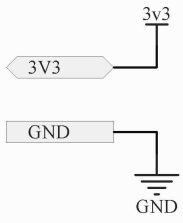
<https://www.adafruit.com/product/3595>

Title		
Size	Number	Revision
B		
Date:	11/21/2019	Sheet of
File:	Sensor.SchDoc	Drawn By:

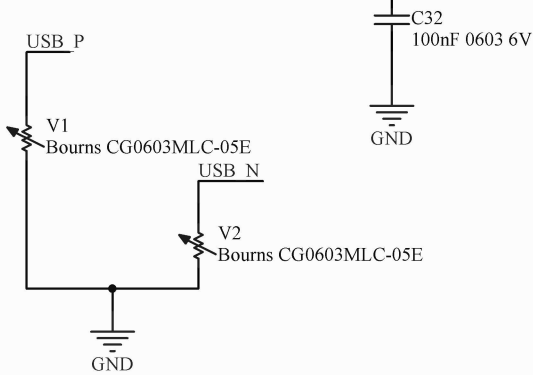
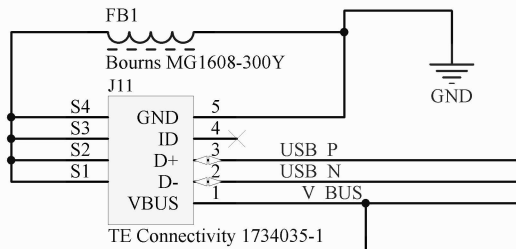
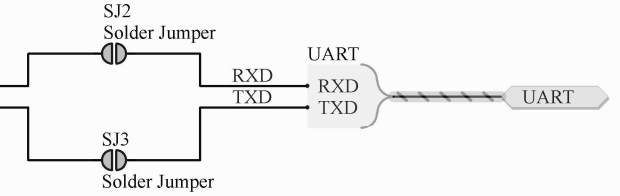
<https://learn.adafruit.com/adafruit-speaker-bonnet-for-raspberry-pi/overview>
<https://datasheets.maximintegrated.com/en/ds/MAX98357A-MAX98357B.pdf>



Title		
Size	Number	Revision
A		
Date:	11/21/2019	Sheet of
File:	Speaker.SchDoc	Drawn By:



For fixing when these are backwards



Title			
Size	Number		Revision
A			
Date:	11/21/2019	Sheet of	
File:	UART.SchDoc	Drawn By:	