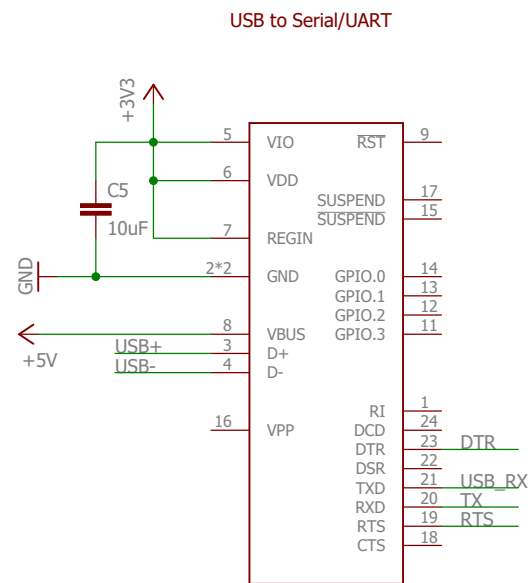
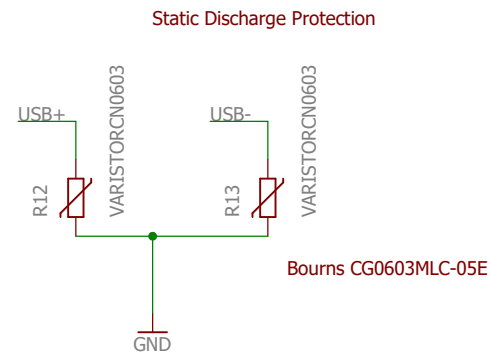
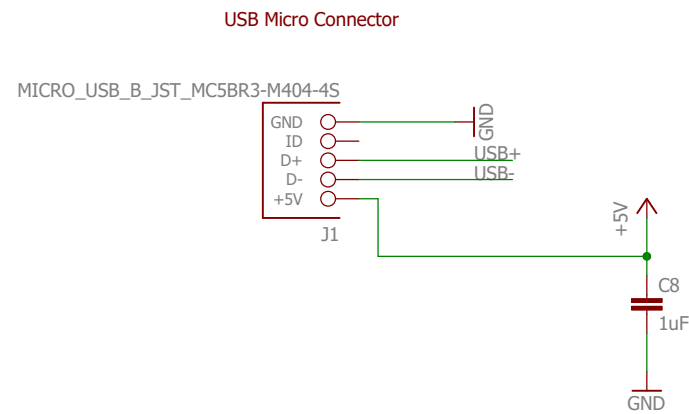
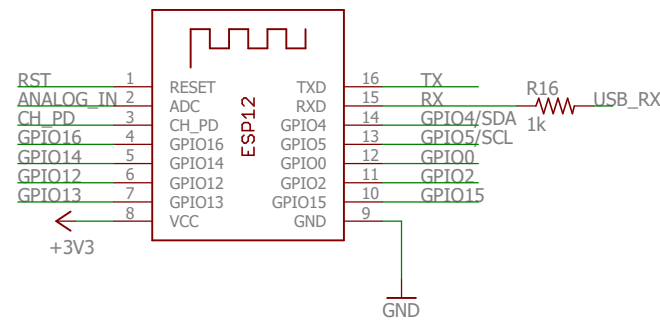


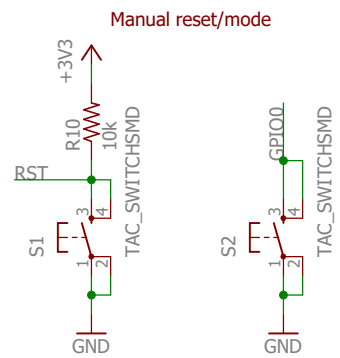
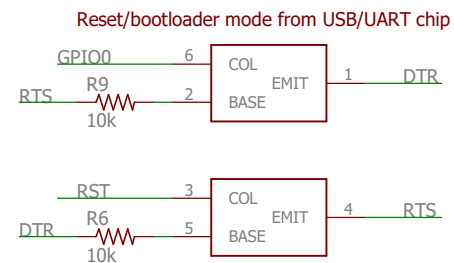
USB Electronics



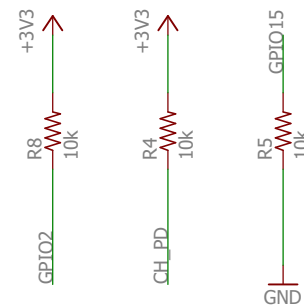
ESP8266 Breakout Module



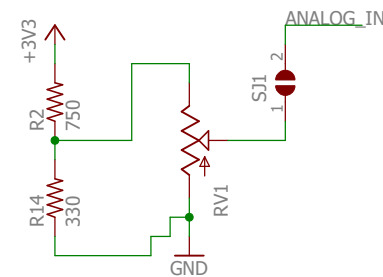
Reset Logic



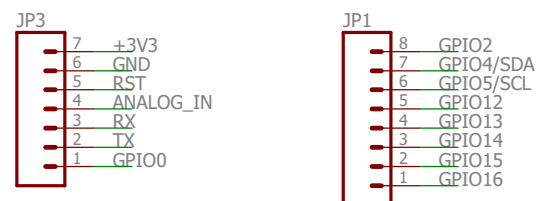
Pull-up/pull-down resistors



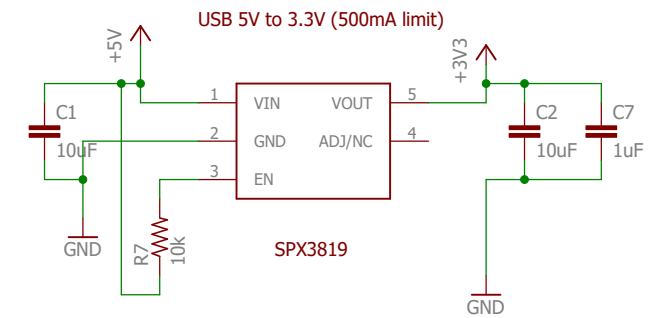
Potentiometer



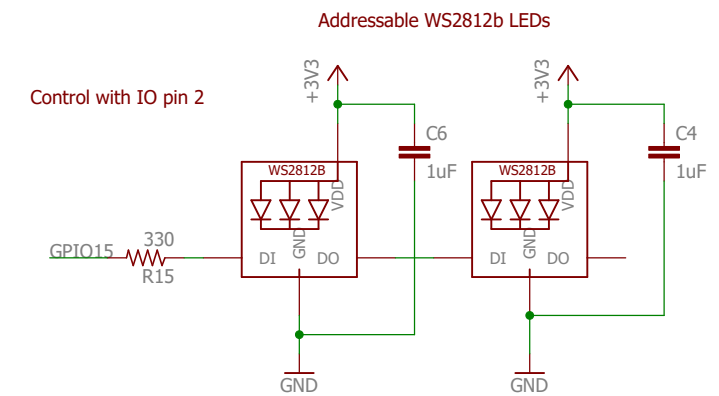
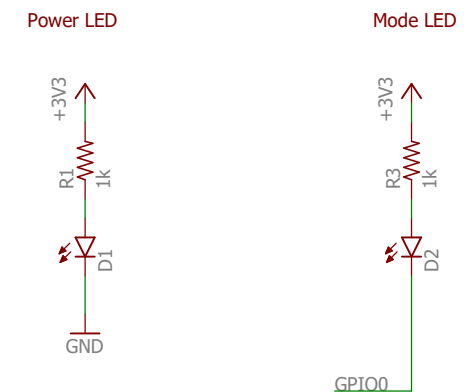
Headers



Power Distribution



LEDs



TITLE: hacker-boards-refactor

Document Number:

REV:

Date: 01/28/2016 15:31

Sheet: 1/1